

PROCON® Products

Series 4 & 5 Pumps

- Positive Displacement Rotary Vane Pump
- Flow ranging from 350 to 1010 liters per hour (1010 lph pump requires 137 kPa inlet pressure)
- Self Priming
- Maintenance Free
- Low Vibration and Pulsation Characteristics
- Stainless Steel, Brass and Low Lead Brass (0.25% Max Lead)
- Models compatible with 48YZ Frame and 56C Frame Motors
(Adapter and Coupling required for 56C Frame Mounting)

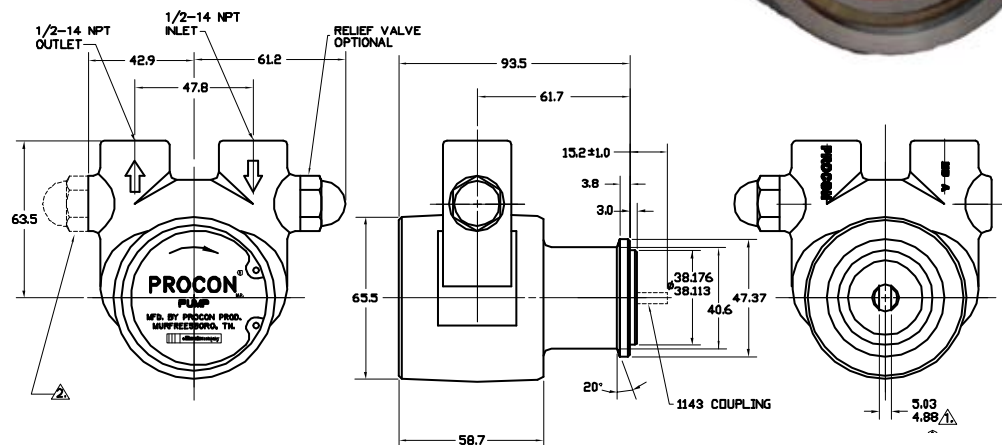


SPECIFICATIONS

Body Material	Type 303 stainless steel or brass
Capacity	350 to 1010 lph
Nominal Speed	1400 RPM
Typical Horsepower Required	90 to 730 watts
Maximum Discharge Pressure	1750 kPa
Rotation (viewed from nameplate end)	Clockwise
Dry Weight	Approximately 2 kg
Dimensions	93.5mm X 104.1mm X 96.3mm
Self Priming (water)	1.8m Lift
Port Size	3/8" NPT and G 3/8" Inlet and Outlet

TYPICAL APPLICATIONS

- Circulation
- Reverse Osmosis
- Booster Pumps
- Solar Applications
- Hydraulic Systems
- Desalination



PROCON® Products

Standex International S.r.l.

Via 1 Maggio, 20
20064 Gorgonzola (MI) Italy
tel: +39 (02) 95-740951 ext. 213
fax: +39 (02) 95-740713
solarl.standex@standexinternational.191.it
solari@standex.com

Standex (Ireland) Limited

Irishtown, Mountmellick, Co. Laois
Republic of Ireland
tel: +353 (5786) 79114
fax: +353 (5786) 79119
sales@standex.ie

Standex International GmbH

Koelner Strasse 352-354
47807 Krefeld Germany
tel: +49 21 51 371226
fax: +49 21 51 371258
m.schmalohr@standex-gmbh.de

Roelen Industries - Melbourne Div

46 Dehavilland Road
Mordialloc, Victoria 3195
Australia
tel: 011-61 (3) 9580-4155
fax: 011-61 (3) 9580-2954
shaw@roehlen.com.au



www.proconpump.com

"QUALITY PRODUCTS – DELIVERED ON TIME"



Series 4 & 5 Nominal Volume at 1400 RPM

NOMINAL FLOW RATE (l/h)	LITERS PER HOUR					BRAKE HORSEPOWER (kW)				
	PRESSURE (k Pa)					PRESSURE (k Pa)				
	350	700	1050	1400	1750	350	700	1050	1400	1750
1010	1015	1012	1006	1003	1000	0.20	0.33	0.47	0.60	0.73
810	813	807	801	795	788	0.14	0.26	0.38	0.49	0.60
730	745	736	724	712	699	0.13	0.22	0.32	0.42	0.51
660	669	660	647	635	623	0.12	0.21	0.30	0.39	0.48
580	592	583	571	558	546	0.11	0.20	0.28	0.36	0.45
500	515	506	494	482	469	0.10	0.18	0.26	0.34	0.42
420	439	429	417	405	393	0.10	0.17	0.24	0.31	0.38
350	362	353	341	328	316	0.09	0.15	0.21	0.27	0.33

Series 1 - 6 Rotary Vane pumps - Model Number Matrix

	1 1 1 A 100 F 1 1 A A 180	
PRODUCT CLASSIFICATION		PRESSURE SETTING (RELIEF VALVE) (SEE NOTE 5)
1 - ROTARY VANE PUMP		PRESSURE SETTING IN PSI (POUNDS PER SQ. IN.)
AGENCY APPROVALS		PRESSURE RANGE (RELIEF VALVE SPRING)
0 - NON-FOOD GRADE (1.5% Max. Lead)- NO AGENCY APPROVAL		A - 151 TO 250 PSI - DEFAULT SETTING 170 PSI (SEE NOTE 4)
1 - NSF STD. 169 LISTED (1.5% Max Lead) - (SEE NOTE 1)		10 to 17 BAR - DEFAULT SETTING 14 BAR
2 - WRC		B - 100 TO 150 PSI - DEFAULT SETTING 130 PSI
3 - FOOD GRADE - (1.5% Max. Lead) NO AGENCY LISTING		7 TO 10 BAR - DEFAULT SETTING 10 BAR
P - SPARE PARTS KIT		C - 60 TO 99 PSI - DEFAULT SETTING 99 PSI
Z - NON-FOOD GRADE (.20% Max. Lead)- NO AGENCY APPROVAL		4 TO 7 BAR - DEFAULT SETTING 7 BAR
4 - NSF STD. 169 LISTED (.20% Max. Lead) - (SEE NOTE 1)		D - 30 TO 59 PSI - DEFAULT SETTING 50 PSI (SEE NOTE 6)
Y - NON-FOOD GRADE (.10% Max. Lead)- NO AGENCY APPROVAL		2 TO 4 BAR - DEFAULT SETTING 3.5 BAR
5 - NSF STD. 169 LISTED (.10% Max. Lead) - (SEE NOTE 1)		X - NO SETTING
W - 254 SMO (316 S/S) - NO AGENCY APPROVAL		
SERIES		VALVE TYPE AND CONFIGURATION
1 - SERIES 1 BRASS - INTEGRAL STRAINER		A - PLASTIC, HI TEMP-BYPASS
2 - SERIES 2 BRASS		B - PLASTIC, HI TEMP-SOLID
3 - SERIES 3 STAINLESS STEEL		C - PLASTIC, HI TEMP BALANCED BYPASS
4 - SERIES 4 BRASS		D - PLASTIC, HI TEMP BALANCED SOLID
5 - SERIES 5 STAINLESS STEEL		F - PLASTIC, HI TEMP-EXTERNAL ADJUST BYPASS
6 - SERIES 6 STAINLESS STEEL		G - PLASTIC, HI TEMP-EXTERNAL ADJUST SOLID
7 - SERIES 7 BRASS MINI PRO		P - BRASS, HI TEMP-SOLID
8 - SERIES 8 STAINLESS STEEL - INTEGRAL STRAINER		R - STAINLESS STEEL, HI TEMP-SOLID
9 - SERIES 9 BRASS SHORT PUMP		1 - PLASTIC, LOW TEMP-BYPASS
		2 - PLASTIC, LOW TEMP-SOLID
		3 - PLASTIC, LOW TEMP BALANCED BYPASS
		4 - PLASTIC, LOW TEMP BALANCED SOLID
		5 - PLASTIC, LOW TEMP-EXTERNAL ADJUST BYPASS
		6 - PLASTIC, LOW TEMP-EXTERNAL ADJUST SOLID
		X - NO RELIEF VALVE
MOUNTING AND DRIVE CONFIGURATION		CLEARANCES
A - CLAMP ON WITH .188" DOUBLE FLAT DRIVE		1 - STANDARD CLEARANCE
B - CLAMP ON WITH 1143 BRONZE COUPLING		2 - SPCL CLEARANCE (1x) LINER & BRGS
C - CLAMP ON WITH 1143-2 PLASTIC COUPLING		3 - SPECIAL CLEARANCE (2x) LINER & (1x) BRGS.
D - CLAMP ON WITH SLOTTED SHAFT ONLY - NO COUPLING		4 - STANDARD CLEARANCE WITH SEAL CIRCULATION
E - BOLT ON WITH SINGLE FLAT DRIVE (SERIES 1-5 ONLY)		5 - SPCL CLEARANCE (1x) LINER AND (1x) SEAL CIRC. BRGS.
J - BOLT ON WITH .25 DOUBLE FLAT DRIVE (SEE NOTE 2)		6 - SPCL CLEARANCE (1x) LINER AND (2x) SEAL CIRC. BRGS.
K - BOLT ON WITH 3018 BRONZE COUPLING		
L - BOLT ON WITH 3018-1 OVERSIZE BRONZE COUPLING		ROTATION / SLINGER / PASSIVATION / STRAINER
M - BOLT ON WITH SLOTTED SHAFT ONLY		1 - CLOCKWISE
N - BOLT ON WITH KEY SLOT DRIVE (SERIES 6 ONLY)		2 - COUNTERCLOCKWISE
P - CLAMP ON WITH 1143-3 OVERSIZE BRONZE COUPLING		3 - CLOCKWISE / SLINGER
R - LONG CLAMP ON WITH DOUBLE FLAT DRIVE (SEE NOTE 11)		4 - COUNTERCLOCKWISE / SLINGER
S - CLAMP ON WITH SINGLE FLAT DRIVE		7 - CLOCKWISE / COARSE STRAINER
T - BOLT ON WITH FAEMA STYLE MOUNT		8 - CLOCKWISE / SLINGER / COARSE STRAINER
FLOWRATE (SEE NOTE 10)		ELASTOMER
SERIES 1, 2 AND 3		F - FDA GRADE NITRILE - TYPE 21 OR TYPE 2106
015 - 15 GPH (45 LPH)		USED INTERCHANGEABLY
025 - 25 GPH (75 LPH)		G - ETHYLENE PROPYLENE - TYPE 21 SEAL (SEE NOTE 8)
035 - 35 GPH (100 LPH)		R - FLUOROCARBON - TYPE 21 SEAL
050 - 50 GPH (150 LPH)		S - NEOPRENE - TYPE 21 SEAL (SEE NOTE 9)
060 - 60 GPH (180 LPH)		W - ETHYLENE PROPYLENE - TYPE 21 SEAL -
070 - 70 GPH (210 LPH)		WRC APPROVED COMPOUND
080 - 80 GPH (240 LPH)		
100 - 100 GPH (300 LPH)		
110 - 110 GPH (HIGH FLOW) (330 LPH)		
125 - 125 GPH (HIGH FLOW) (375 LPH)		
140 - 140 GPH (HIGH FLOW) (425 LPH)		
SERIES 4 AND 5		
115 - 115 GPH (350 LPH)		
140 - 140 GPH (425 LPH)		
165 - 165 GPH (500 LPH)		
190 - 190 GPH (575 LPH)		
215 - 215 GPH (650 LPH)		
240 - 240 GPH (725 LPH)		
265 - 265 GPH (800 LPH)		
330 - 330 GPH (HIGH FLOW) - NO RELIEF VALVE (1000 LPH)		
SERIES 6		
300 - 300 GPH - NO RELIEF VALVE (900 LPH)		
360 - 360 GPH - NO RELIEF VALVE (1080 LPH)		
420 - 420 GPH - NO RELIEF VALVE (1260 LPH)		
480 - 480 GPH - NO RELIEF VALVE (1440 LPH)		
540 - 540 GPH - NO RELIEF VALVE (1620 LPH)		
600 - 600 GPH - NO RELIEF VALVE (1800 LPH)		
660 - 660 GPH - NO RELIEF VALVE (2000 LPH)		

NOTES:

1. Brass pumps are NSF listed for potable water only. Stainless steel pumps are NSF listed for potable and carbonated water. (Nitrile elastomer only.)
2. Bolt on model with .25" double flat drive for use in Japan only. (No NSF available.)
3. Counterclockwise rotation not available for Series 1 pumps.
4. For the Beverage Industry - the default relief valve pressure setting is 250 PSI.
5. The relief valve pressure setting is not part of the model matrix number. It is for customer reference only.
6. This pressure range is not available in valve configurations C, D, K or L.
7. Passivation is defined as a passivated housing only. No other parts are passivated.
8. The EP elastomer is no longer available for Series 6 pumps.
9. Neoprene elastomer not available for the following relief valve configurations: C, D, F, 3, 4, 5, and 6.
10. GPH rating at 60HZ (1750 RPM) - LPH rating at 50HZ (1400 RPM).
11. Long clamp on pumps are series 1 and 4 only