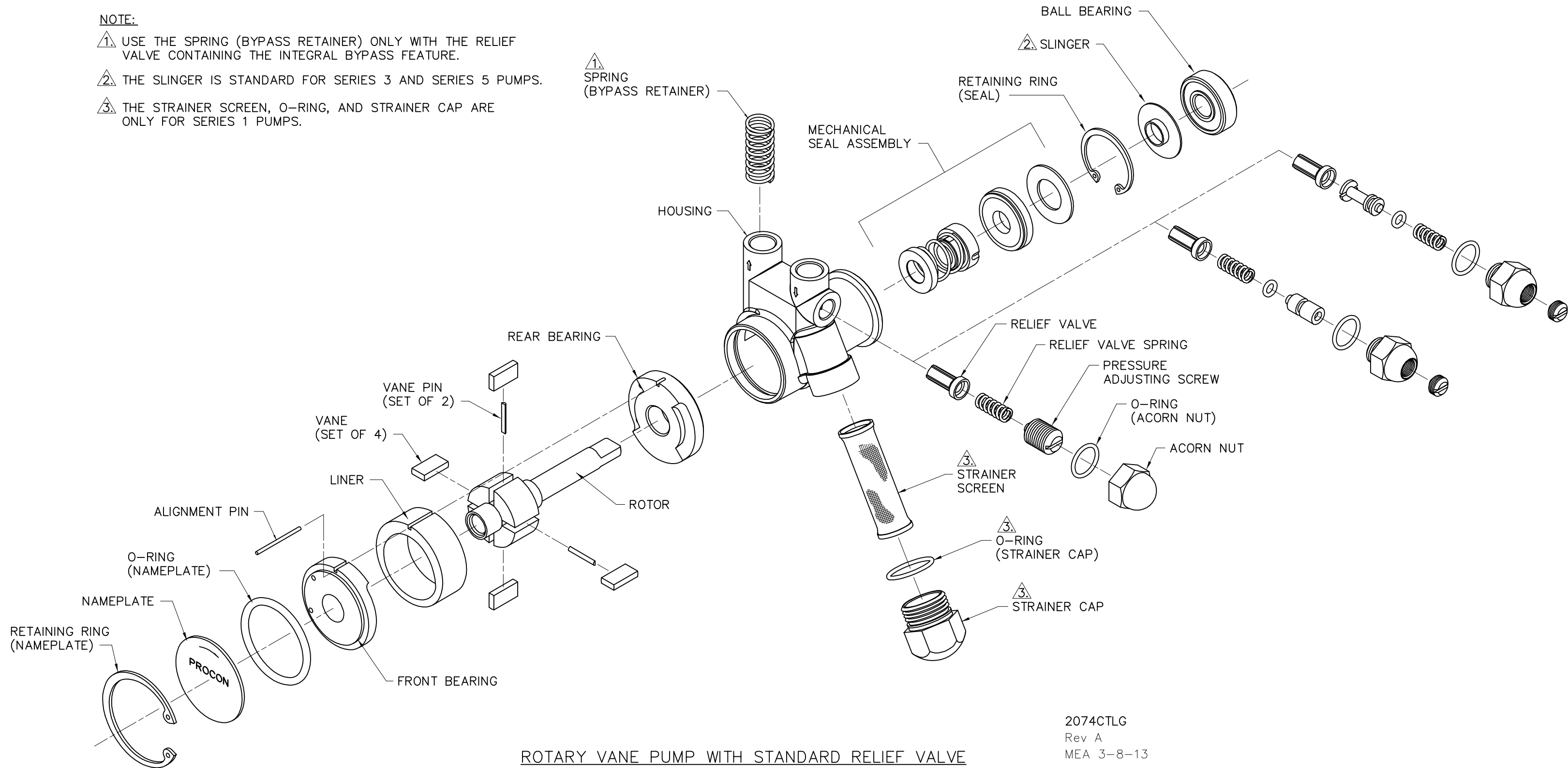


NOTE:

- 1. USE THE SPRING (BYPASS RETAINER) ONLY WITH THE RELIEF VALVE CONTAINING THE INTEGRAL BYPASS FEATURE.
- 2. THE SLINGER IS STANDARD FOR SERIES 3 AND SERIES 5 PUMPS.
- 3. THE STRAINER SCREEN, O-RING, AND STRAINER CAP ARE ONLY FOR SERIES 1 PUMPS.



**ROTARY VANE PUMP WITH STANDARD RELIEF VALVE
(SERIES 1 SHOWN)**

2074CTLG
Rev A
MEA 3-8-13